

No.	15FF-3009
ISSUED:	APR. 2, 2007
REVISED:	JUL. 2, 2014



**HOSHIZAKI
CRESCENT CUBER**

MODEL KM-75A

PARTS LIST
(HE, HE - UK)

S-1 MAR. 2007
T-0 JAN. 2008
T-1 MAY 2008
U-0 JAN. 2009
U-1 FEB. 2009
V-0 JAN. 2010
V-1 JUN. 2010

AUXILIARY CODE

U - 1

The auxiliary code is the first two characters in the serial number. The first character indicates the production year. Years progress or regress in alphabetical order. The series of letters and skipped letters depend on UL listing, production, and model. See the auxiliary code(s) and corresponding year(s) on the front cover.

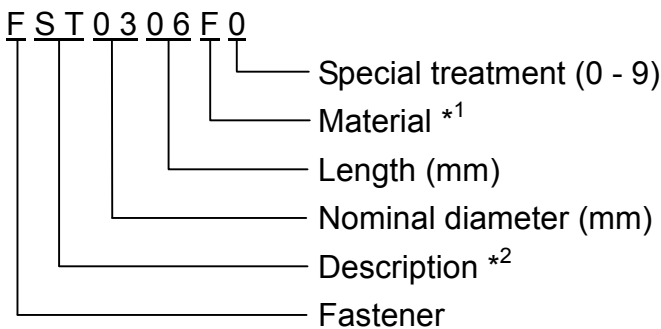
The second character indicates significant part changes within the same year. Base is "1" and this number advances for each change. If there is no significant part change at the turn of the year, this number starts from "0."

MARKS LOCATED UNDER THE AUXILIARY CODE

- = Part deleted.
- x = Part deleted and replaced by "o" part.
- o = New part in place of "x" part.

FASTENER PART NUMBER

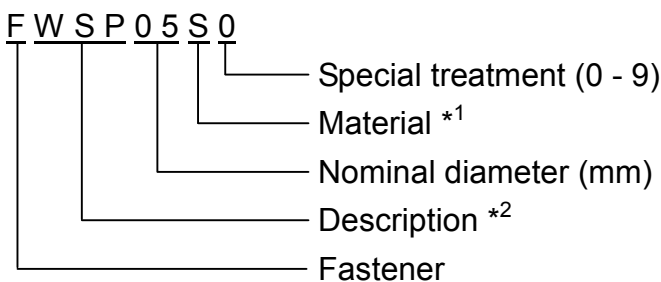
SCREWS



*1 Material

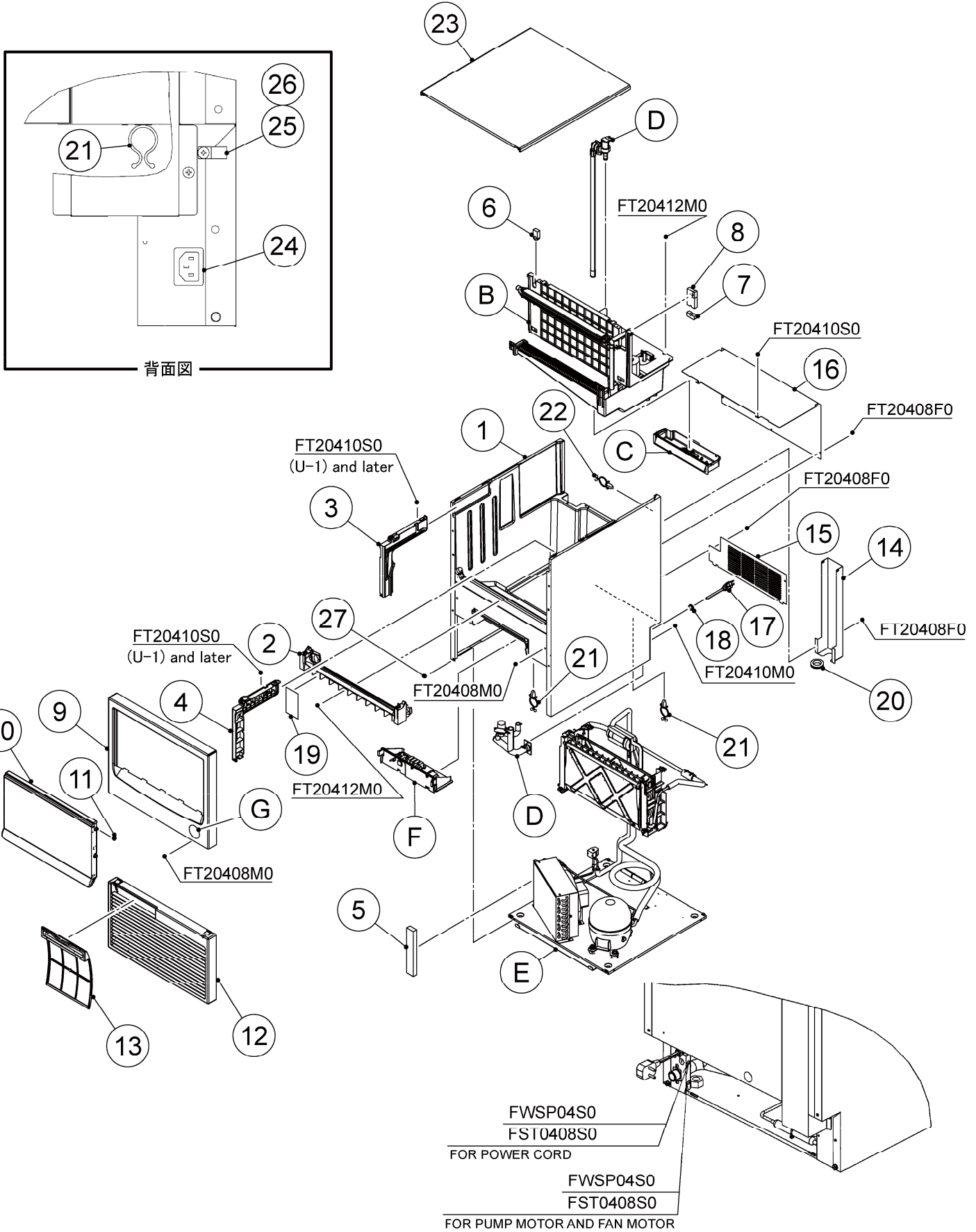
- F: Steel
- S: Austenitic stainless steel
- M: Martensitic stainless steel
- B: Copper alloy
- P: Polycarbonate
- N: Polyamide
- V: PVC
- A: ABS
- X: Polyacetal
- L: Aluminum

NUTS & WASHERS



*2 Description

- First letter
- S: Machine screw
- T: Tapping screw
- M: Wood screw
- B: Bolt
- W: Washer
- N: Nut

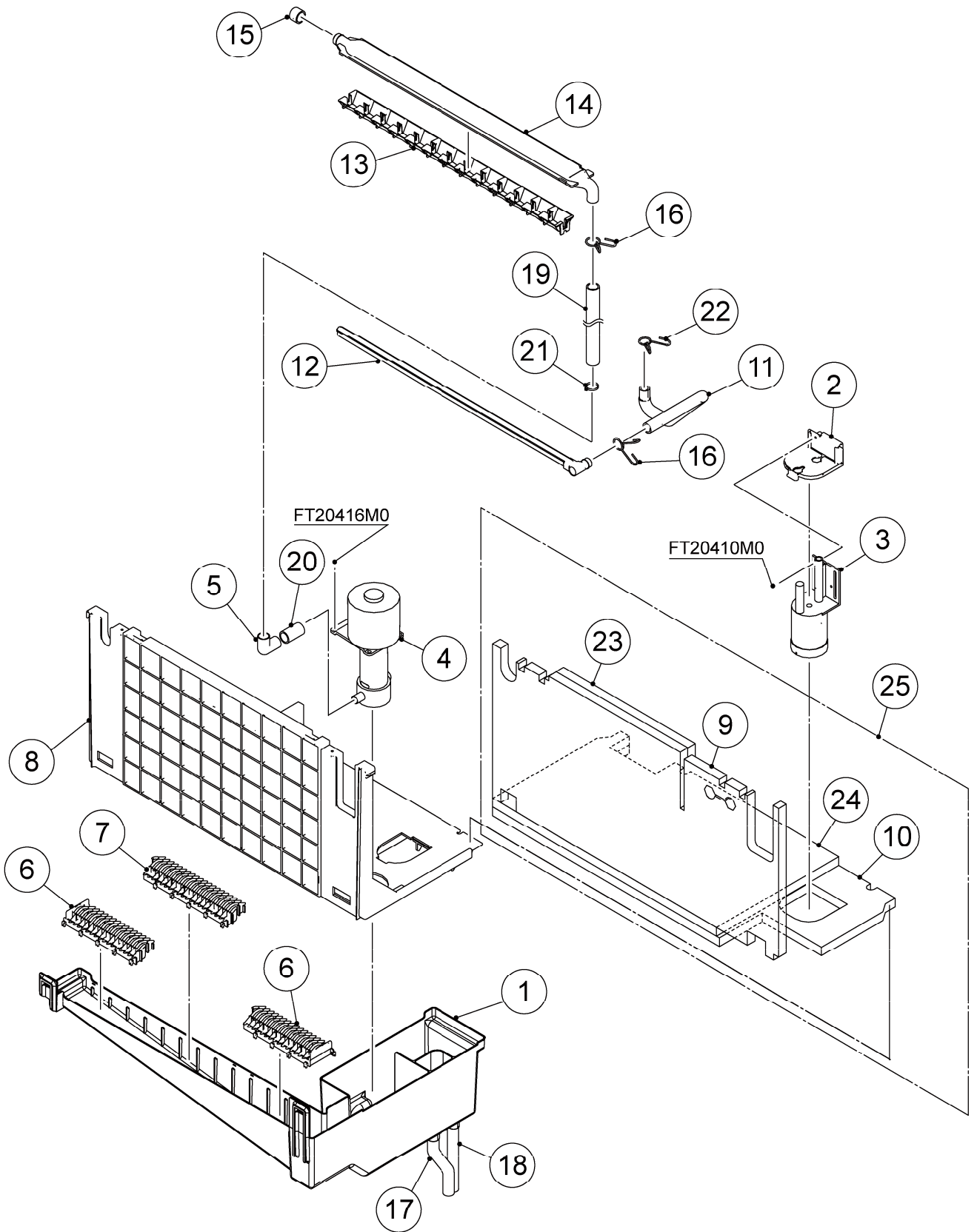


HE, HE/UK

MODEL: KM-75A		TITLE: A. ICE CUBER ASSY					
INDEX NO.	DESCRIPTION	MATERIAL OR MODEL NUMBER	PART NUMBER	REQ'D NUMBER			
				S-1,T-0	T-1,U-0	U-1,V-0	V-1
B	ICE MAKING MECHANISM ASSY		118056A01	1	1	1	1
C	MECHANICAL BIN SWITCH		369013A01	1	-	-	-
			371151A01	-	1	1	1
D	WATER CIRCUIT ASSY		252119A01	1	1	1	1
E	REFRIGERATION CIRCUIT		118059A01	1	1	1	1
F	CONTROL BOX ASSY		252005A03	1	1	1	1
G	LABEL LOCATION		369023003	1	1	1	1
K	ACCESSORIES			1	1	1	1
L	OPTIONAL PARTS			1	1	1	1
1	BODY ASSY		118053G01	1	1	-	-
			119358G01	-	-	1	-
			120505G01	-	-	-	1
2	FRONT FRAME		250745-01	1	1	1	1
3	RAIL (L)		117628-01	1	1	-	-
			119369P01	-	-	1	1
4	RAIL (R)		117629-01	1	1	-	-
			119370P01	-	-	1	1
5	AIR GUARD		470302-02	1	1	1	1
6	GROMMET-PIPE (C)	SANTOPRENE	470311-01	1	1	1	1
7	GROMMET-PIPE (B)	SANTOPRENE	470310-01	1	1	1	1
8	GROMMET-PIPE (A)	SANTOPRENE	471029R01	1	1	1	1
9	FRONT PANEL		369014G01	1	1	1	1
10	DOOR		369051G01	1	1	1	1
11	COLLAR		471009P01	4	4	4	4
12	LOUVER		117635-01	1	1	1	1
13	AIR FILTER		250727G01	1	1	1	1
14	COVER - PIPE		369096M02	1	1	1	1
15	REAR COVER		368313-01	1	1	1	1

HE, HE/UK

MODEL: KM-75A		TITLE: A. ICE CUBER ASSY					
INDEX NO.	DESCRIPTION	MATERIAL OR MODEL NUMBER	PART NUMBER	REQ'D NUMBER			
				S-1,T-0	T-1,U-0	U-1,V-0	V-1
16	REAR PANEL		368316-03	1	1	1	1
17	POWER SUPPLY CORD	HE	P00048-01	1	1	1	-
		HE/UK	P00182-01	1	1	1	-
18	BUSHING	CEE-SR-6 P-10	448949-01	1	1	1	-
19	SEAL - OVERFLOW		4Y4321P01	1	1	1	1
20	BUSHING		428394-04	1	1	1	1
21	CLAMP		427902-02	5	5	5	6
22	CLAMP		427902-03	1	1	1	1
23	TOP PANEL ASSY		369005A03	1	1	1	1
24	CONNECTOR		P02656-01	-	-	-	1
25	CLAMP		418814-06	-	-	-	1
26	T2 SCREW	4x8	FT20408F0	-	-	-	1
27	HEX. TAPPING SCREW W - FLANGE		P01572-01	4	4	4	4

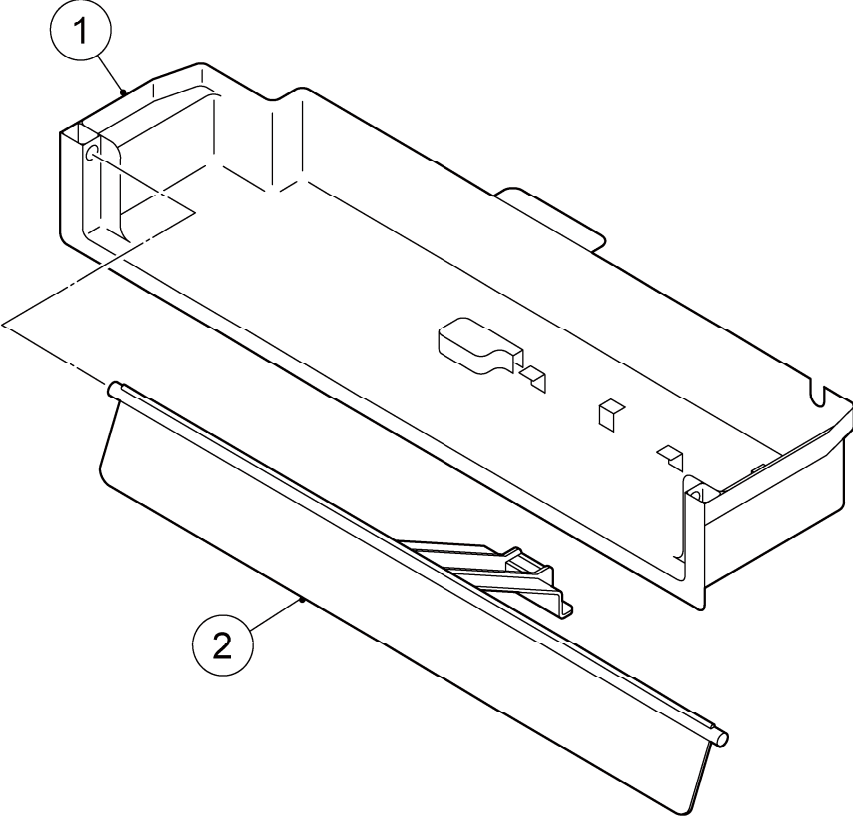


HE, HE/UK

MODEL: KM-75A				TITLE: B. ICE MAKING MECHANISM ASSY			
INDEX NO.	DESCRIPTION	MATERIAL OR MODEL NUMBER	PART NUMBER	REQ'D NUMBER			
				S-1,T-0	T-1,U-0	U-1,V-0	V-1
1	WATER TANK		117639-01	1	1	1	1
2	BRACKET - FLOAT SWITCH		368339-01	1	1	1	1
3	FLOAT SWITCH		4A3624-04	1	1	1	1
4	PUMP MOTOR	PV-0512BHZ1	P00020-01	1	1	1	1
5	ELBOW		417703-01	1	1	1	1
6	CUBE GUIDE (A)		250742-01	2	2	2	2
7	CUBE GUIDE (C)		250740-01	1	1	1	1
8	BRACKET - ICE MAKING		117632-01	1	1	1	1
9	INSULATION - MECHANISM (A)	Only available as No.25.	368347-01	-	-	-	-
10	INSULATION - MECHANISM (B)	Only available as No.25.	368346-01	-	-	-	-
11	WATER SUPPLY PIPE		369100R01	1	1	1	-
	WATER SUPPLY HOSE		374290R01				1
12	WATER SUPPLY TUBE		250743-03	1	1	1	1
13	SPRAY GUIDE		252052P03	1	1	1	-
			258313P05				1
14	SPRAY TUBE		250746-03	1	1	1	1
15	SPRAY TUBE CAP		370777R01	1	1	1	1
16	HOSE CLAMP		P02909-04	2	2	2	2
17	PIPE - OVERFLOW		369038P03	1	1	1	1
18	SILICONE HOSE	L=230 14 DIA x 18 DIA (CLEAR)	H11418230	1	1	1	1
19	SILICONE HOSE	L=370 14 DIA x 18 DIA (CLEAR)	H11418370	1	1	1	-
		L=350 14 DIA x 18 DIA (CLEAR)	H11418350				1
20	SILICONE HOSE	L=30 14 DIA x 18 DIA (CLEAR)	H11418030	2	2	2	2
21	CABLE TIE	CV-100	7920-0002	3	3	3	3

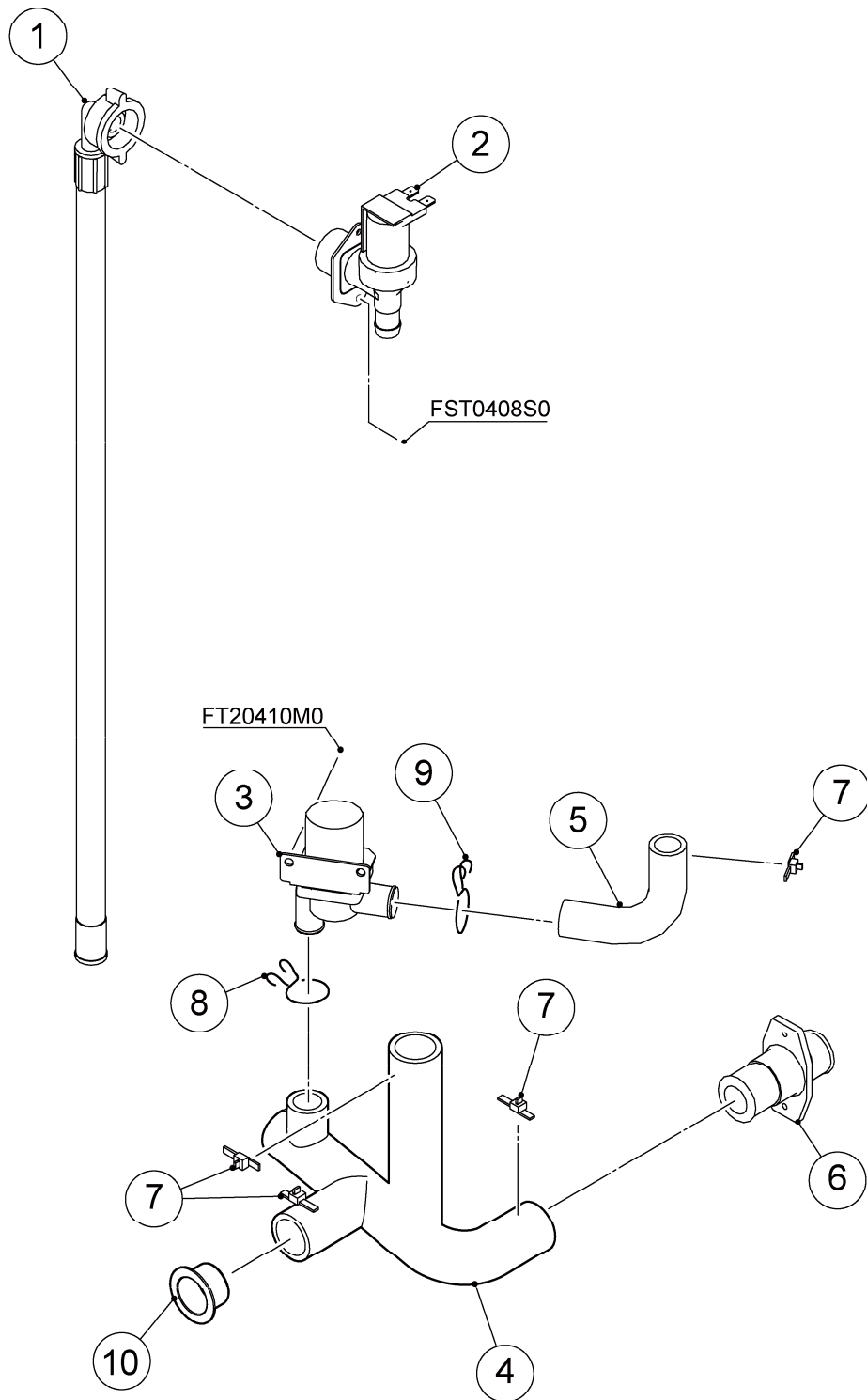
HE, HE/UK

MODEL: KM-75A		TITLE: B. ICE MAKING MECHANISM ASSY					
INDEX NO.	DESCRIPTION	MATERIAL OR MODEL NUMBER	PART NUMBER	REQ'D NUMBER			
				S-1,T-0	T-1,U-0	U-1,V-0	V-1
22	HOSE CLAMP		P02909-07	1	1	1	1
23	INSULATION - MECHANISM (C)	Only available as No.25.	3Y2430Z01	-	-	-	-
24	INSULATION - MECHANISM (D)	Only available as No.25.	3Y2431Z01	-	-	-	-
25	INSULATION - MECHANISM		256827P01			1	1



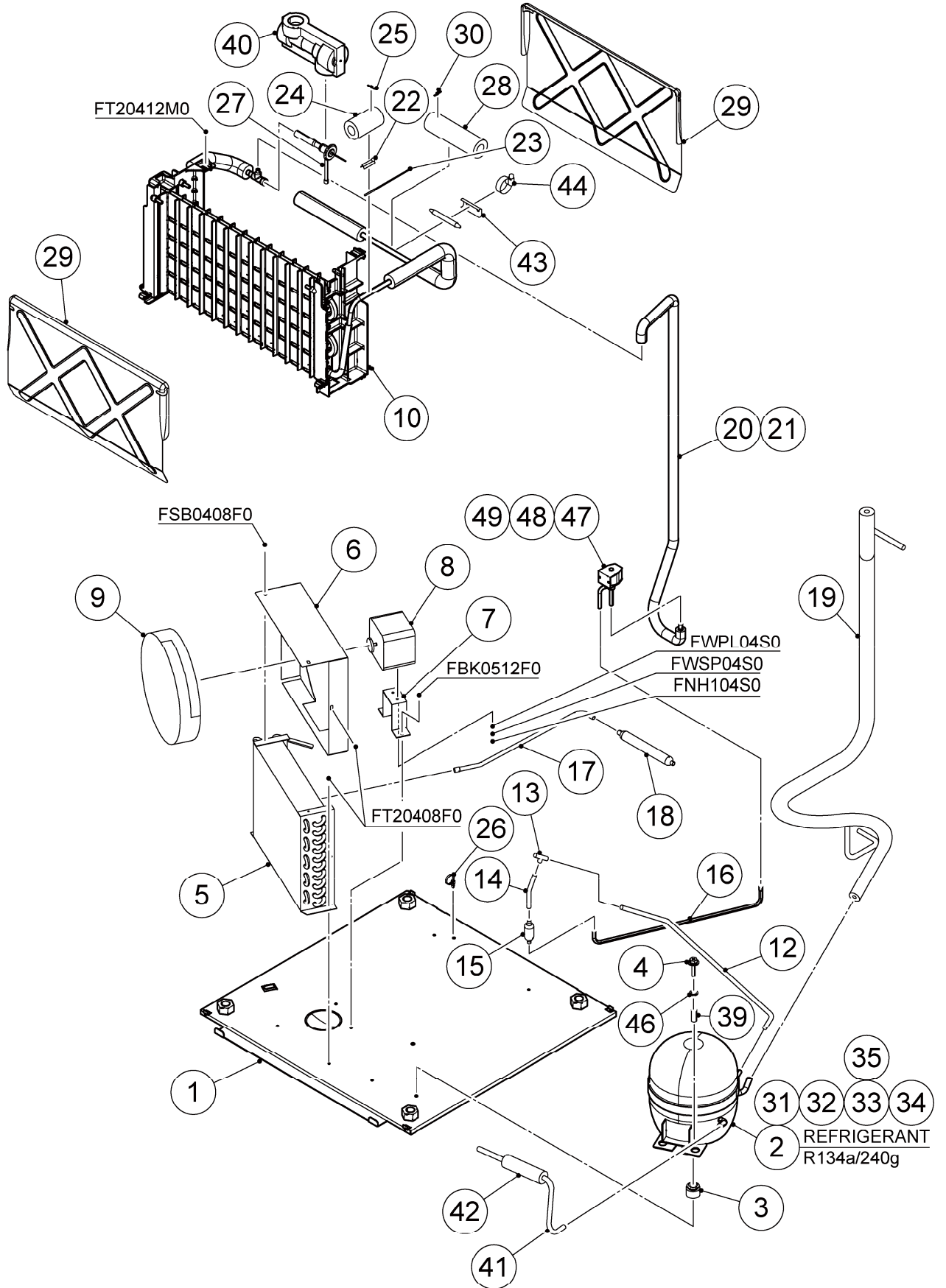
HE, HE/UK

MODEL: KM-75A		TITLE: C. MECHANICAL BIN SWITCH					
INDEX NO.	DESCRIPTION	MATERIAL OR MODEL NUMBER	PART NUMBER	REQ'D NUMBER			
				S-1,T-0	T-1,U-0	U-1,V-0	V-1
1	MECHANICAL SWITCH CASE		369019G01	1	-		
			371153G01		1	1	1
2	DETECTOR		369020G01	1	-		
			371152G01		1	1	1



HE, HE/UK

MODEL: KM-75A		TITLE: D. WATER CIRCUIT ASSY					
INDEX NO.	DESCRIPTION	MATERIAL OR MODEL NUMBER	PART NUMBER	REQ'D NUMBER			
				S-1,T-0	T-1,U-0	U-1,V-0	V-1
1	INLET HOSE		P00554-01	1	1	1	1
2	WATER VALVE	1260067 1.2L/min	P00021-01	1	1	1	1
3	SOLENOID VALVE	FDC90-02	P00018-01	1	1	1	1
4	DRAIN HOSE	SANTOPRENE	370704R01	1	1	1	1
5	HOSE - VALVE	SANTOPRENE	470304-01	1	1	1	1
6	DRAIN PIPE		369099P01	1	1	1	1
7	CABLE TIE	CV-150	7920-0003	4	4	4	4
8	HOSE CLAMP		P02909-05	1	1	1	1
9	HOSE CLAMP		P02909-06	1	1	1	1
10	CAP		472250P01	1	1	1	1

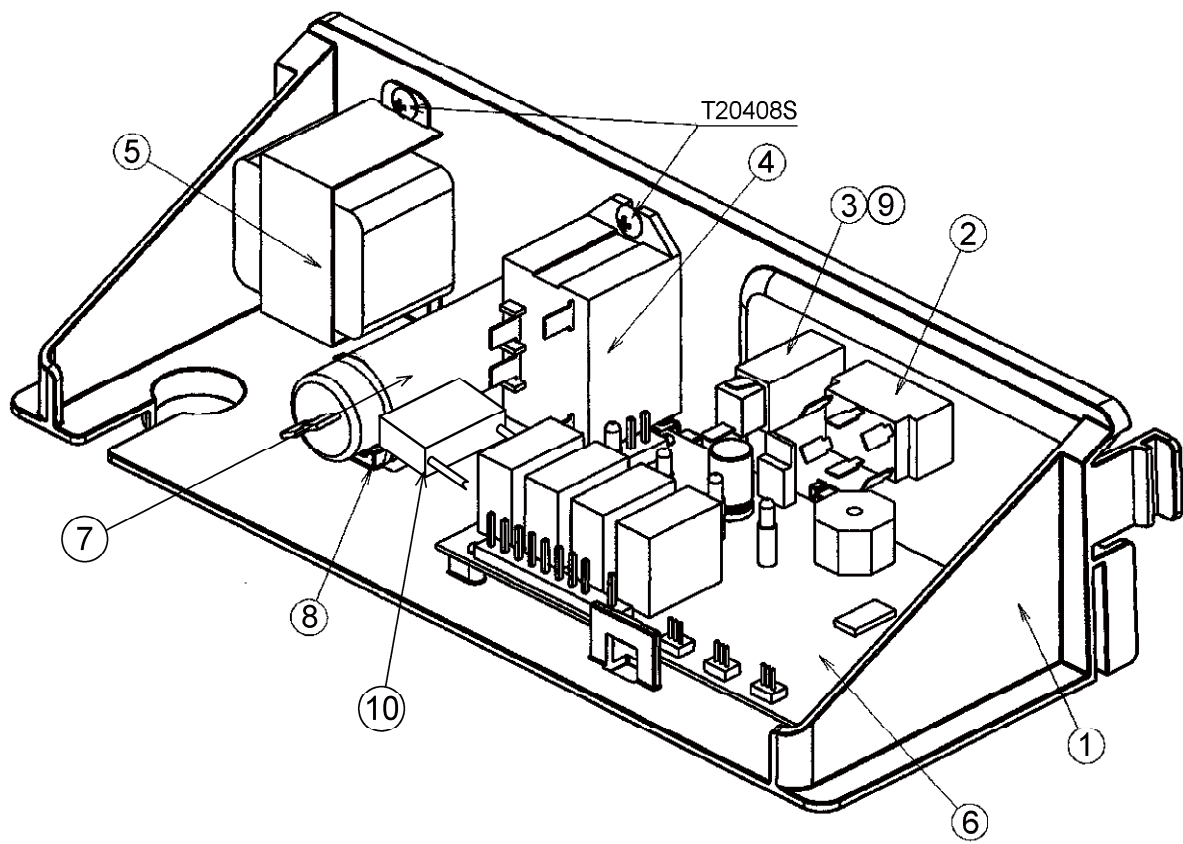


HE, HE/UK

MODEL: KM-75A				TITLE: E. REFRIGERATION CIRCUIT			
INDEX NO.	DESCRIPTION	MATERIAL OR MODEL NUMBER	PART NUMBER	REQ'D NUMBER			
				S-1,T-0	T-1,U-0	U-1,V-0	V-1
1	BASE		369139G01	1	1	1	1
2	COMPRESSOR	QA125K26CAW5-HOLS	P00052-01	1	1	1	1
3	RUBBER GROMMET	01-228511	459218-01	4	4	4	4
4	HEX HEAD BOLT W/WASHER [SW]	6 x 30	FBK0630S0	2	2	2	2
5	CONDENSER - AIR COOLED		P00030-01	1	1	1	1
6	SHROUD		368319-01	1	1	1	1
7	BRACKET - FM		470291-01	1	1	1	1
8	FAN MOTOR	M4Q045-CA03-51	P00022-01	1	1	1	1
9	FAN BLADE	230 DIA (28°)	P00031-01	1	1	1	1
10	EVAPORATOR ASSY		252014G01	1	1	1	-
			258411G01				1
12	COPPER TUBE(A) - HI		368334-01	1	1	1	1
13	TEE		420041-03	1	1	1	1
14	COPPER TUBE(B) - HI		470297-01	1	1	1	1
15	STRAINER		P00008-01	1	1	1	1
16	COPPER TUBE(C) - HI		471943M01	1	1	1	1
17	COPPER TUBE(D) - HI		470295-01	1	1	1	1
18	DRIER		P00026-01	1	1	1	1
19	HEAT EXCHANGER		369340G01	1	1	1	1
20	COPPER TUBE - HOT GAS	COPPER TUBE - HOT GAS 370331G01	370331M01	1	1	1	1
21	INSULATION TUBE	COPPER TUBE - HOT GAS 370331G01 L=1100	H71020H11	1	1	1	1
22	THERMISTOR HOLDER		436455-01	1	1	1	1
23	THERMISTOR	NBFC-36-H60-1	P00027-01	1	1	1	1
24	INSULATION - THERMISTOR		471010Z01	1	1	1	1
25	CABLE TIE	CV-100	7920-0002	2	2	2	2
26	PUSH MOUNT TIE	T30RSF	436156-01	1	1	1	1

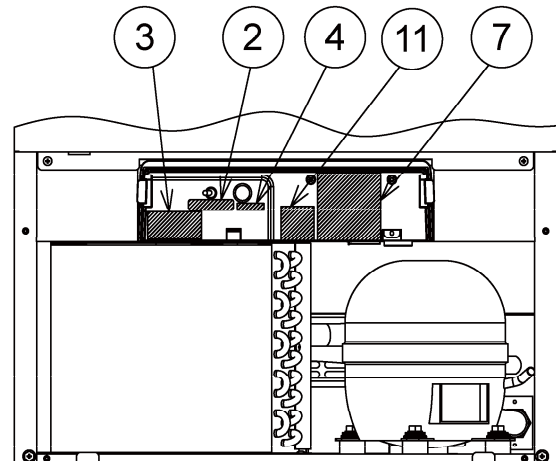
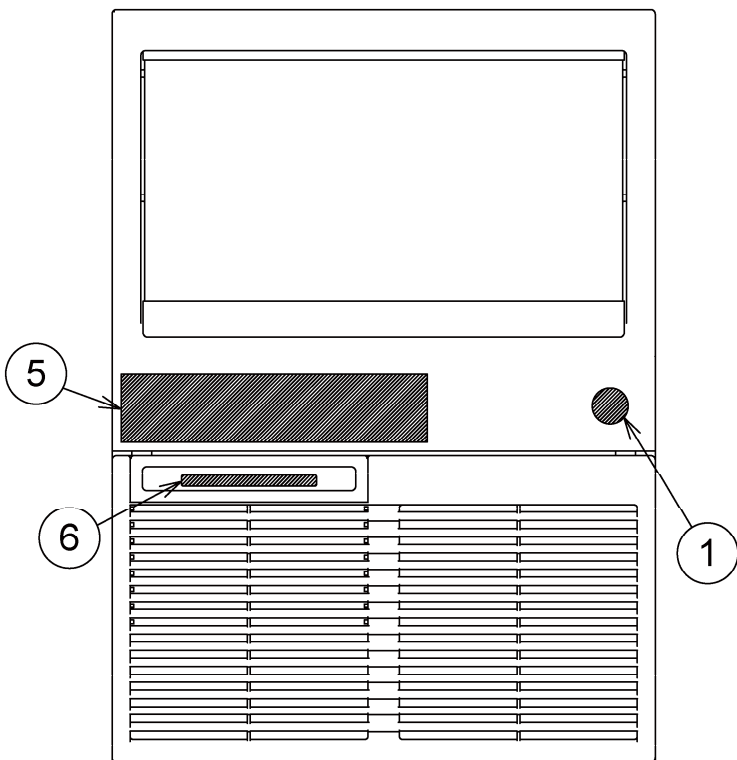
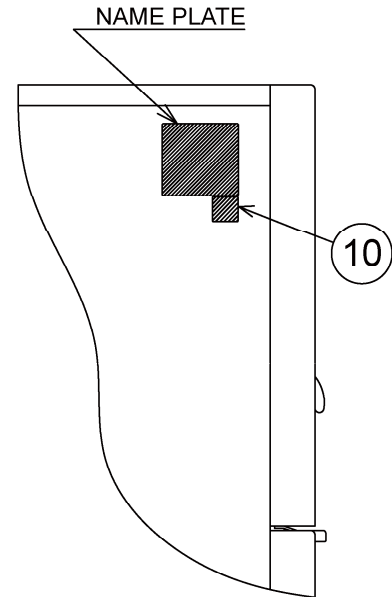
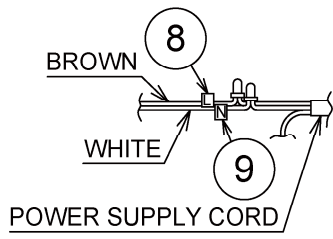
HE, HE/UK

MODEL: KM-75A				TITLE: E. REFRIGERATION CIRCUIT			
INDEX NO.	DESCRIPTION	MATERIAL OR MODEL NUMBER	PART NUMBER	REQ'D NUMBER			
				S-1,T-0	T-1,U-0	U-1,V-0	V-1
27	EXPANSION VALVE	HFE-5QHD-3	P00318-01	1	1	1	1
28	INSULATION TUBE (A)	L=200	H73858200	1	1	1	1
29	SEPARATOR		250749-03	2	2	2	2
30	CABLE TIE	CV-200	7920-0010	2	2	2	2
31	STARTING RELAY	MM5-62C	P00364-01	1	1	1	1
32	MOTOR PROTECTOR	MM3-43GCF	P00365-01	1	1	1	1
33	PROTECTOR COVER	01-899613	P00356-01	1	1	1	1
34	CLAMP	01-245233	459222-01	1	1	1	1
35	CLIP	01-246801	438847-01	1	1	1	1
39	GROMMET SLEEVE	01-220430	459229-01	2	2	2	2
40	EXPANSION VALVE COVER		369332Z01	1	1	1	1
41	COPPER TUBE PROCESS(A)	COPPER TUBE - PROCESS(A) 471181G01	471181M01	1	1	1	1
42	INSULATION TUBE	COPPER TUBE - PROCESS(A) 471181G01 L=100	H71020100	1	1	1	1
43	HOLDER - EXPV		451267-01	1	1	1	1
44	CLAMP		443461-01	1	1	1	1
46	WASHER		4Y4450M01	2	2	2	2
47	VALVE BODY	AMS - B24BH DU - 1	4A3275-01	1	1	1	1
48	COIL - VALVE		P00810-01	1	1	1	1
49	BOLT		P00811-01	1	1	1	1



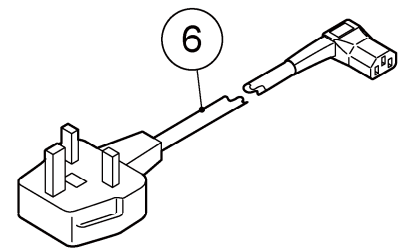
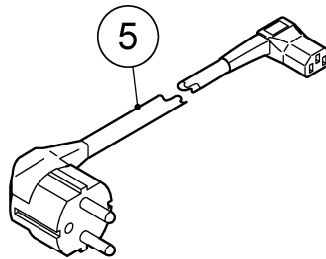
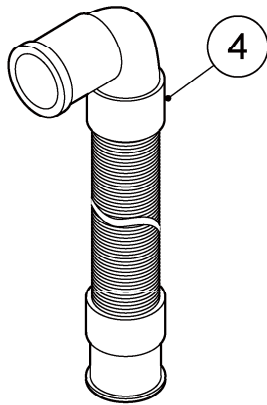
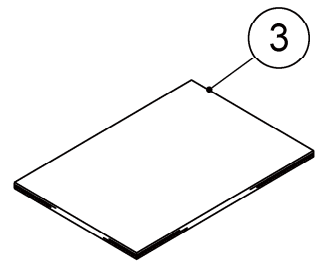
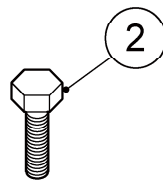
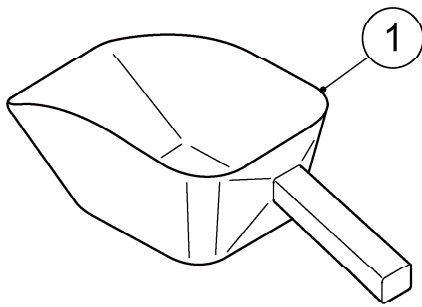
HE, HE/UK

MODEL: KM-75A		TITLE: F. CONTROL BOX ASSY					
INDEX NO.	DESCRIPTION	MATERIAL OR MODEL NUMBER	PART NUMBER	REQ'D NUMBER			
				S-1,T-0	T-1,U-0	U-1,V-0	V-1
1	CONTROL BOX		117624-01	1	1	1	1
2	TOGGLE SWITCH	KND-203	P00033-01	1	1	1	1
3	FUSE HOLDER	BF115	P00014-01	1	1	1	1
4	POWER RELAY	G7L-1A-TUB	P00034-01	1	1	1	1
5	TRANSFORMER	DB48-26	P00012-01	1	1	1	1
6	CONTROLLER BOARD	HKM2006V003	P01771-02	1	1	1	1
7	START CAPACITOR	25 μ F 300V	4Y1490-01	1	1	1	1
8	CABLE TIE	CV-200	7920-0010	1	1	1	1
9	FUSE	125/250V 5A	P00015-01	1	1	1	1
10	CAPACITOR	REB474	P00228-01	1	1	1	1



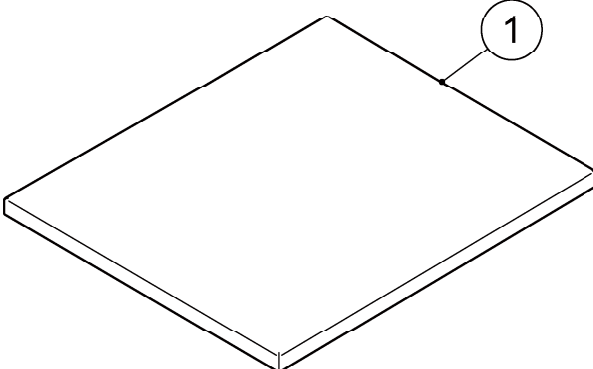
HE, HE/UK

MODEL: KM-75A		TITLE: G. LABEL LOCATION					
INDEX NO.	DESCRIPTION	MATERIAL OR MODEL NUMBER	PART NUMBER	REQ'D NUMBER			
				S-1,T-0	T-1,U-0	U-1,V-0	V-1
1	LOGO LABEL - PENGUIN		471486L01	1	1	1	1
2	CONTROL LABEL- FUSE		476009L01	1	1	1	1
3	CAUTION LABEL		464507-01	1	1	1	1
4	-		-	-			
5	MAINTENANCE LABEL		369056L01	1	1	1	1
6	LABEL - AIR FILTER		426177-01	1	1	1	1
7	CAUTION LABEL - SERVICE		471180L01	1	1	1	1
8	LABEL - TERMINAL		452379-01	1	1	1	1
9	LABEL - TERMINAL		452379-02	1	1	1	1
10	LABEL - HACCP		476519L01	1	1	1	1
11	CAUTION LABEL		473789L01				1



HE, HE/UK

MODEL: KM-75A		TITLE: K. ACCESSORIES					
INDEX NO.	DESCRIPTION	MATERIAL OR MODEL NUMBER	PART NUMBER	REQ'D NUMBER			
				S-1,T-0	T-1,U-0	U-1,V-0	V-1
1	SCOOP		1H4123P02	1	1	1	1
2	BOLT	M20 x 35	FBH2035F0	4	4	4	4
3	INSTRUCTION MANUAL		L115FD205	1	1	1	1
4	OUTLET HOSE		P00055-01	1	1	1	1
5	POWER SUPPLY CORD		P02794-01				1
6	POWER SUPPLY CORD		P02795-01				1



HE, HE/UK

MODEL: KM-75A		TITLE: L. OPTIONAL PARTS					
INDEX NO.	DESCRIPTION	MATERIAL OR MODEL NUMBER	PART NUMBER	REQ'D NUMBER			
				S-1,T-0	T-1,U-0	U-1,V-0	V-1
1	COVER - TOP PANEL		266603M03	1	1	1	1