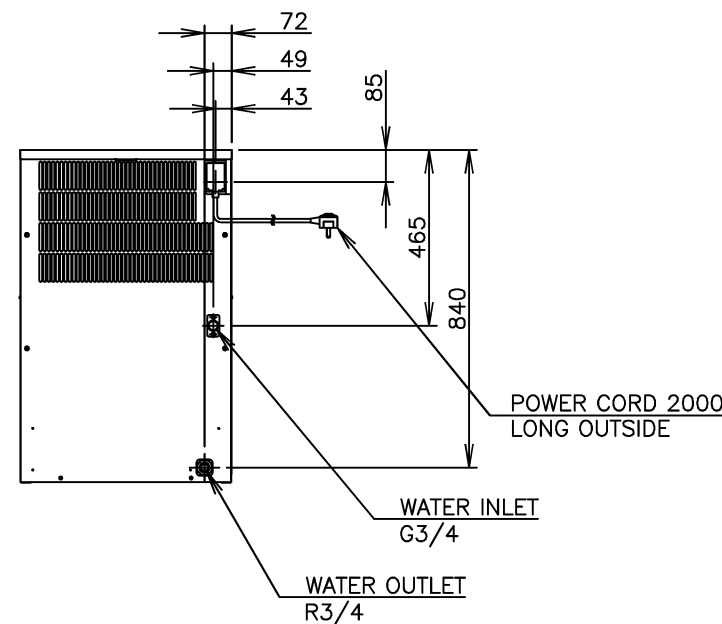
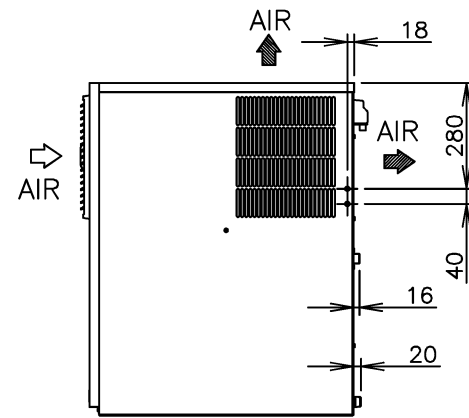
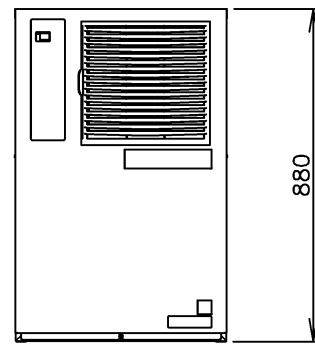
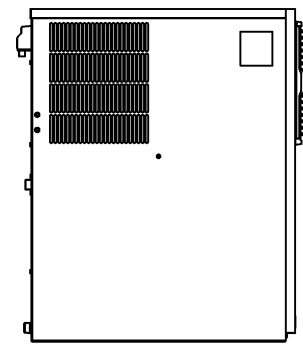
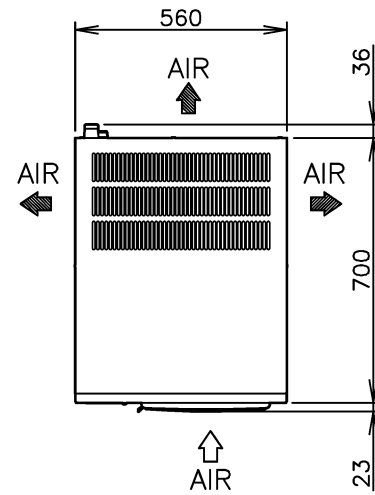


1. Install the ice maker properly in accordance with the instructions on location, water supply/drain connections and electrical connections stated in the instruction and installation manuals provided. Allow 10mm extra space at the installation site to meet any installation requirements (additional spacing is also required for proper air flow and pipe connections).
2. The ice production depends on the ambient and water temperatures. Refer to the instruction manual.
3. Product code: E1GA



| | | |
|---------------------------------|---|------------------|
| ITEM | Hoshizaki Cube Ice Maker | |
| MODEL | IM-240ANE-HC | |
| AC SUPPLY VOLTAGE | 1 PHASE 220-240V 50Hz | |
| AMPERAGE | 4.0A (AT.32°C, WT.21°C) | |
| STARTING AMPERAGE | 27A | |
| ELECTRIC CONSUMPTION | 930W (AT.32°C, WT.21°C) | |
| POWER FACTOR | 97% | |
| POWER SUPPLY CAPACITY | 1.77KVA (7.4A) | |
| ICE PRODUCTION PER 24h | Approx. 210(5mm)/235(15mm)kg (AT.10°C, WT.10°C) Approx. 195(5mm)/210(15mm)kg (AT.21°C, WT.15°C) Approx. 170(5mm)/190(15mm)kg (AT.32°C, WT.21°C) | |
| WATER CONSUMPTION PER 24h | Approx. 0.67m ³ (AT.10°C, WT.10°C) Approx. 0.32m ³ (AT.21°C, WT.15°C) Approx. 0.29m ³ (AT.32°C, WT.21°C) | |
| SHAPE OF ICE | Cube Approx. 28x28x32mm | |
| FREEZE CYCLE TIME | Approx. 24min (AT.21°C, WT.15°C) | |
| ICE PRODUCTION PER CYCLE | Approx. 3.2kg/140.pcs (AT.21°C, WT.15°C) | |
| DIMENSIONS | 560mm(W)x700mm(D)x880mm(H) | |
| EXTERIOR | Stainless Steel | |
| CONNECTIONS-ELECTRIC | X-Type Con. (with CONT. Plug) | |
| CONNECTIONS-WATER SUPPLY | Inlet G3/4 (connected at rear side) | |
| CONNECTIONS-DRAIN | Outlet R3/4 (connected at rear side) | |
| ICE MAKING SYSTEM | Cell type | |
| HARVESTING SYSTEM | Hot Gas Defrost | |
| COMPRESSOR | Hermetic | |
| CONDENSER | Air-cooled, Spiral tube type | |
| HEAT REJECTION | 2330W (AT.32°C, WT.21°C) | |
| EVAPORATOR | Copper Tube on Sheet and Cells | |
| REFRIGERANT CONTROL | Thermostatic Expansion Valve | |
| REFRIGERANT CHARGE | R290/147g | |
| ICE MAKING CONTROL SYSTEM | Thermistor, Timer | Controller Board |
| HARVESTING CONTROL SYSTEM | Thermistor | |
| BIN CONTROL SYSTEM | Microswitch with Time Delay | |
| ICE MAKING WATER CONTROL SYSTEM | Timer, Water Pan's movement | |
| ELECTRICAL PROTECTION | Class I Appliance, 5A Fuse | |
| COMPRESSOR PROTECTION | Overload Protector(Auto-reset) Pressure Switch (Auto-reset) | |
| ICE MAKER PROTECTION | Interlock by Controller Board | |
| GAS LEAK DETECTION | Gas Sensor | |
| WEIGHT | Net weight 78kg/Gross weight 89kg | |
| PACKAGE | Carton 820mm(W)x 665mm(D)x1054mm(H) | |
| ACCESSORIES | Scoop, Installation Kit, Ice Chute | |
| OPERATING CONDITIONS | Ambient Temp.: 1 - 40°C, Water Supply Temp.: 5-35°C Water Supply Pressure: 0.07-0.78MPa(0.7-8bar) | |

*We reserve the right to make changes in specifications and design without prior notice.

HOSHIZAKI CUBE ICE MAKER IM-240ANE-HC

| | | | | | |
|---------------------|----------------------|------------------|--------------------|-----------------------|--------------|
| APPROVED YOSHIDA | CHECKED YAMAGUCHI | DESIGNED SEKI | DRAWN WATANABE | SCALE 1/20 | TRIGONOMETRY |
| KUROYANAGI | UEDA | 2014.06.20 | DATE 2012.10.11 | DRAWING NO. D12157 | SYMBOL ⚠ |
| APPROVED | DESIGNED | DATE | | | |